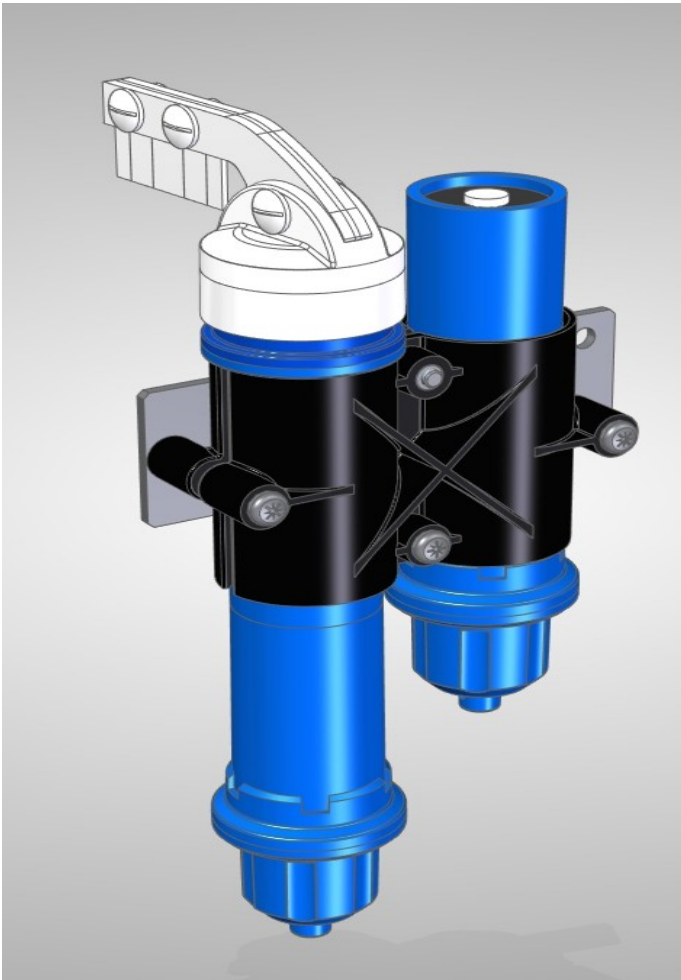


The Odyssey® P.A.R. Wiper and mounting bracket system is designed to be used with the Odyssey® P.A.R. logger to keep the P.A.R. logger sensor window clean from bio-fouling. The Wiper uses a magnetic drive system so there is no moving parts passing through a water seal. The Wiper also stores the wipe count in the internal non-volatile memory along with other diagnostics, like obstructions, with a timestamp. When in range, the wiper wirelessly communicates to the Odyssey® Xtract software application (download free from Play Store or App Store) on your android phone or tablet and collects the recorded data. Settings are also transferred through by the Xtract App to the Wiper at the same time. When the Xtract application detects a network connection, it sends the data retrieved to the cloud database servers. Using any standard internet browser, connect to our Odyssey® Xpert Web portal to analyse your data.



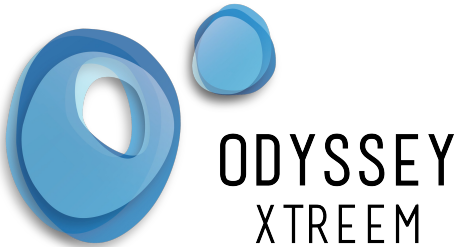
The Wiper uses a magnetic drive system so there is no moving parts passing through a water seal. The Wiper also stores the wipe count in the internal non-volatile memory along with other diagnostics, like obstructions, with a timestamp. When in range, the wiper wirelessly communicates to the Odyssey® Xtract software application (download free from Play Store or App Store) on your android phone or tablet and collects the recorded data. Settings are also transferred through by the Xtract App to the Wiper at the same time. When the Xtract application detects a network connection, it sends the data retrieved to the cloud database servers. Using any standard internet browser, connect to our Odyssey® Xpert Web portal to analyse your data.

Features

- Variable wipe time 10s to several days.
- Records wipe time & date
- Records any obstructions encountered.
- Wireless
- Fully submersible to 30m
- Includes mounting bracket & clamp to fit 12mm rod.

Specification: (typical conditions, Battery Voltage 3V, Temperature 22°C)

Calculated Battery Life – (Extended / Standard) – (Industrial)	2 Years Based on 2 hour wipe interval 5+ Years (Dependent on average temperature)
Memory Capacity	60,000 Including ambient temperature
Water Proof	IP68 Submersible to 30m
Dimensions	46mm Diameter, 160mm Length
Operating Temperature – (Standard) – (Extended / Industrial)	-20 to 55°C (no ice) (Standard battery with reduced life below 0°C) -20 to 60°C / -30 to 85°C (no ice)
Bluetooth LE	4.0
Supported Phone/Tablet	Android™ V6.0 or greater. Apple IOS® V9.3.6 or greater.
Battery (standard) (2 per wiper)	Alkaline AA 1.5V (Energizer Max® E91)
Approvals	FCC, RSS, MIC, CE, AS, NZ

**Installation**

Mount the wiper in one half of the supplied bracket and the P.A.R. logger in the other half of the bracket. Attach the bracket to a 16mm steel bar or similar using the clamp provided. The mounting plate can also be used in many other ways or a custom bracket can be easily manufactured.

Maintenance

It is preferable to clean the unit at least once per year. For cleaning use water, detergent or methylated spirits with a soft cloth. The wiper arm assembly simply pops on and off for cleaning.

Batteries

The battery life is dependent on a number of variables including sampling interval and operating temperature. The remaining battery life is indicated in the Xpert web portal. To replace the batteries, unscrew the cap and lift out the 2 batteries. Over time the cap can become very tight so we have available a special tool for opening the cap. As the batteries are non-hazardous, disposal is with your normal rubbish. We recommend with temperatures greater than 0°C that you use the Energizer Max E91 with PowerSeal Technology batteries as these have been tested in our Xtream products to give the best life and are least likely to leak. At 0°C the battery life has reduced to half of its calculated life and it further reduces to 1/8th of its life at -20°C.

For temperatures below 0°C (Extended temperature range) we recommend Energizer Lithium L91 batteries.

For temperatures above 55°C (Industrial temperature range) we recommend our 3.6V Lithium Batteries.

Replace the batteries in the logger in the indicated orientation in the battery holder. (Note the unit will not be damaged if the batteries are inserted incorrectly). Before replacing the cap check the O-Ring seal is present, clean and free from dirt. If required apply some silicon grease (available from Odyssey[®]). Replace the cap and tighten by hand. Do Not use any tools to tighten the cap. If you are not using the logger for more than a year, then remove the batteries to prevent any chance of leaking.

Battery orientation is indicated inside the battery holder.



Quick Start Guide

Once you purchase a wiper you will be sent a username and password which will allow you to login to the Odyssey[®] Xpert web portal. You will also receive instructions on how to download and install the Xtract application to your data collection device. Check our Odyssey[®] website for a low cost tablet.

Browse to the Odyssey[®] Xpert web portal and enter the supplied username followed by your password. You will then be presented with a map showing your wiper with map pins. Zoom in on the map and select the wiper you wish to configure. Once selected the wiper details will appear on the right side of the map.

From the menu select logger config. It is important to choose a unique name for your wiper. It can include numbers, an asset code or anything you like to help you identify it, as the serial number of the wiper is long. At this time you should also write the wiper name on the wiper label to help identify it. If you enable continuous logging, the wiper will continuously wipe until its memory is full and then start overwriting the oldest readings first. If desired you can select a Start and End date/time. Select your time zone that the wiper is installed at. Typically this will be your time zone. You can also add a site description and any deployment notes you may want. Once you press submit the settings will be stored in the database.

Start the Xtract application on your device (phone/tablet), select settings from the menu and enter the provided username and password. The Xtract application device will periodically check to see if any settings have been changed and download them into the device. Once the wiper is turned on and in range, the Xtract application will automatically connect to the wiper and update the wiper settings. If there is any stored data on the wiper it will also collect the data and automatically send it to the cloud database servers. You can view the progress of this by opening the Xtract Application. See the Odyssey[®] Xtract user manual for more features of this application.

To view the recorded data in the Xpert Web portal select your wiper from the map and choose chart from the menu. Select a date range, then press the Go button and your recorded data will be displayed in the graph below. Right mouse click on the chart to see a menu of the various export options. See the Odyssey[®] Xpert user manual for more features of this application.